

CWX-CWXM

Water motocondensing unit

Cooling capacity 2,7 ÷ 7,1 kW



- Functioning only in cooling mode
- Internal installation



CWX



CWXM



CWX_W

VERSIONS

CWX: condensing unit for cooling only MONOSPLIT

CWXM: condensing unit cold only DUALSPLIT

DESCRIPTION

CWX power module

- Available in 4 versions with different potentiality
- The versions are realised using R410A refrigerant gas
- Only cold operation with water condensation
- Outdoor unit with rotary compressor
- Refrigerant lines with flared connections
- Refrigerant lines up to 15m

CWXM power module

- Available in 2 versions with different potentiality
- The versions are realised using R410A refrigerant gas
- Only cold operation with water condensation
- Outdoor unit with rotary compressor
- Refrigerant lines with flared connections

- Refrigerant lines up to 10m

Indoor unit CWX_W

- Wall indoor unit for wall installation with infrared ray remote control supplied;
- Air flow louvers adjustable horizontally and motorised deflecting louvers, which can be activated by remote control to direct the outlet air flow vertically, with fixed (LV) or floating (SW) positions
- Particularly quiet operation
- Microprocessor control
- Programmable switch-on/off timer
- Air filter that can be easily removed and regenerated
- Night time well-being (SLEEP) function
- Operating mode: cooling, dehumidification and fan only
- Autorestart function after interruption of electricity
- Tangential fan with 3 directly selectable speeds
- Energy saving (ECONO) and fast cooling (TURBO) mode
- Display on front panel showing the functioning modes and the temperature

PERFORMANCE SPECIFICATIONS

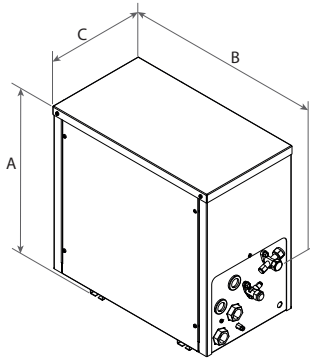
Indoor units		CWX250W	CWX350W	CWX500W	CWX700W	CWX350W+ CWX350W	CWX500W+ CWX500W	
Power module		CWX250	CWX350	CWX500	CWX700	CWXM520	CWXM720	
Cooling capacity	W	2750	3400	5200	6700	4826	7100	
Total input power	W	637	778	1330	1860	1279	1780	
Total input current	A	2,86	3,56	6,02	9,28	5,80	9,00	
EER	W/W	4,32	4,37	3,91	3,60	3,77	3,99	
Water flow rate at (in/out) 30°C/35°C	l/h	572	705	1091	1446	1066	1510	
Water pressure drop	kPa	21	32	74	125	68	127	
Water flow rate at (in) 15°C	l/h	102	122	225	308	190	255	
Refrigerant gas	Type/GWP	R410A / 2087,5 kgCO ₂ eq						
Refrigerant gas charge	kg	0,65	0,75	0,85	0,97	0,90	1,10	
Rated power input (1)	W	1500	1500	2300	2650	2300	2650	
Moisture removed	l/h	1,08	1,18	1,96	2,38	1,00	1,30	
Air flow rate	max	m ³ /h	445,00	537	882	1010	537	882
	average	m ³ /h	428,00	501	828	935	501	828
	min	m ³ /h	404,00	467	776	842	467	776
	max	dB(A)	51,0	51,0	56,0	58,0	51,0	56,0
Sound power (indoor unit)	average	dB(A)	50,0	50,0	55,0	56,0	50,0	55,0
	min	dB(A)	49,0	48,0	53,0	54,0	48,0	53,0
Power module		CWX250	CWX350	CWX500	CWX700	CWXM520	CWXM720	
Sound power	dB(A)	52,0	56,0	59,0	59,0	59,0	59,0	
Compressor	type	Rotary	Rotary	Rotary	Rotary	Rotary	Rotary	
Refrigerant connections	Ø liquid	inch	1/4"	1/4"	1/4"	1/4"	1/4"	
	Ø gas	inch	3/8"	1/2"	1/2"	5/8"	1/2"	
Refrigerant lines	Ø liquid	mm (inch)	6,35 (1/4")	6,35 (1/4")	6,35 (1/4")	6,35 (1/4")	6,35 (1/4")	
	Ø gas	mm (inch)	9,52 (3/8")	12,7 (1/2")	12,7 (1/2")	15,9 (5/8")	12,7 (1/2")	
	Max pipe length	m	15	15	15	15	10 + 10	
	Max level difference	m	7	7	7	7	5	
Hydraulic connections	F	3/4"	3/4"	3/4"	3/4"	3/4"	3/4"	
Power supply	V ~ Hz	220-240V ~ 50Hz						

(1) The rated power input, is the maximum input electrical power from the system, in accordance with the Standards EN-60335-1 and EN-60335-2-40.

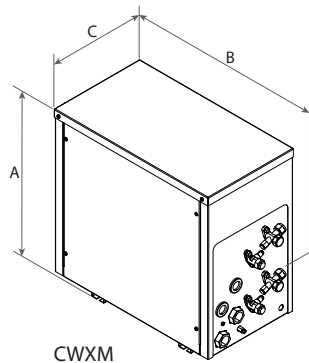
Rated conditions (Cooling EN-14511):

- room air temperature 27 °C D.B. ; 19 °C W.B.
- water temperature (in/out) 30 °C / 35 °C
- maximum speed
- pipe length 5m

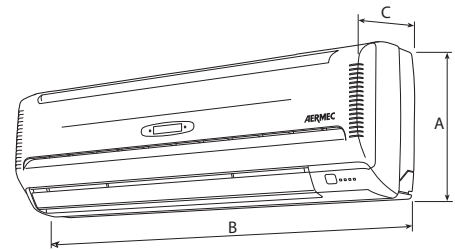
DIMENSIONS



CWX



CWXM



CWX_W

CWX

Dimensions and weights		CWX250	CWX350	CWX500	CWX700
A	mm	450	450	450	570
B	mm	470	470	470	470
C	mm	260	260	260	260
Weight	kg	32	35	38	49

CWXM

Dimensions and weights		CWXM520	CWXM720
A	mm	585	585
B	mm	470	470
C	mm	260	260
Weight	kg	41	52

CWX_W

Dimensions and weights		CWX250W	CWX350W	CWX500W	CWX700W
A	mm	298	305	360	360
B	mm	880	990	1172	1172
C	mm	205	210	220	220
Weight	kg	11	12	18	20

Aermec reserves the right to make any modifications deemed necessary.
All data is subject to change without notice. Aermec does not assume responsibility or liability for errors or omissions.

Aermec S.p.A.
Via Roma, 996 - 37040 Bevilacqua (VR) - Italia
Tel. 0442633111 - Telefax 044293577
www.aermec.com