

VENTILCASSAFORMA

Template for recessed installation of fan coils in the wall



- Ideal for residential or office solutions



DESCRIPTION

Ventilcassaforma has been designed to respond to the needs to rationalise spaces to suit modern interior architecture. Ventilcassaforma is a galvanised template that makes it possible to make a space to house fan coils in the wall.

The template will make masonry work easier during the construction of a niche where the fan coil will be installed. When the work is finished, the fan coil will be completely hidden from view.

VERSIONS

CHU-L: For fan coils in the Omnia ULP - ULIP series.

CHF: For fan coils in the FCZ P, FCZI P series

FEATURES

Ventilcassaforma is made up of the following parts to be assembled:

- Recess box;
- Closure panel;
- Outer frame with deflector;
- Cover bases, cross-members, covers.

All parts are made of galvanised steel and treated with epoxy-polyester resin-based thermo-hardening base paint in grey with rough glazed finish in order to hold the paint. The final colour can be chosen by the client.

Socket box embedded in the wall

Made of galvanised steel, this is the box housing the fan coil. The box is recessed in the wall during building work making the construction of a niche where the fan coils will be installed much easier.

Holes for fitting the fan coil and preparing an electric plant with a socket and GEWISS fuse holder are already present on the back panel.

The box can accommodate the hydraulic system pipes and condensation drain pipes thanks to the presence of several easily-removable elements on the sides and base.

Closure panel

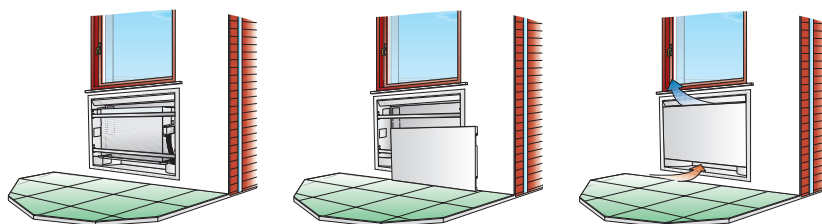
Made of steel pre-treated with base paint and no slots present. Easily removable for servicing and cleaning the air filter.

Outside frame

The perimeter of the box has an outer frame made of pre-treated steel making it possible to cover the perimeter part of the wall and hide any imperfections that overtime show possible crumbling on the edge of the plaster work.

Deflector

Manual, with which the flow of air can be directed into the room. The deflector is incorporated in the frame.



ACCESSORIES COMPATIBILITY

FCZ-H

Ver	200	250	300	350	400	450	500	550	600	650	900	950
HP	CHF22	CHF22	CHF32	CHF32	CHF42	CHF42	CHF42	CHF42	CHF62	CHF62	CHF62	CHF62

FCZI-H

Ver	200	250	300	350	400	450	500	550	700	750	900	950
HP	CHF22	CHF22	CHF32	CHF32	CHF42	CHF42	CHF42	CHF42	CHF62	CHF62	CHF62	CHF62

FCZ-P

Ver	100	101	102	150	200	201	202	250	300	301	302	350	400	401	402	450	500	501	502	550
PPR	CHF17	CHF17	CHF17	CHF17	CHF22	CHF22	CHF22	CHF22	CHF32	CHF32	CHF32	CHF32	CHF42	CHF42	CHF42	CHF42	CHF42	CHF42	CHF42	CHF42
PO,POR	-	-	-	-	CHF22	CHF22	CHF22	CHF22	CHF32	CHF32	CHF32	CHF32	CHF42	CHF42	CHF42	CHF42	CHF42	CHF42	CHF42	CHF42
PPC	CHF17	-	-	CHF17	CHF22	-	-	CHF22	CHF32	-	-	CHF32	CHF42	-	-	CHF42	CHF42	-	-	CHF42

The accessory cannot be fitted on the configurations indicated with -

Ver	600	601	602	650	700	701	702	750	800	801	802	850	900	901	950	1000	1001
PPR	CHF62	CHF62	CHF62	CHF62	CHF62	CHF62	CHF62	CHF62	CHF62	CHF62	CHF62	CHF62	CHF62	CHF62	CHF62	CHF62	CHF62
PO,POR	CHF62	CHF62	CHF62	CHF62	CHF62	CHF62	CHF62	CHF62	-	-	-	-	CHF62	CHF62	CHF62	-	-
PPC	CHF62	-	-	CHF62	CHF62	-	-	CHF62	CHF62	-	-	CHF62	CHF62	-	CHF62	CHF62	-

The accessory cannot be fitted on the configurations indicated with -

FCZI-P

Ver	200	201	202	250	300	301	302	350	400	401	402	450	500	501	502	550	700	701	702	750	900	901	950	
PPR	CHF22	CHF22	CHF22	CHF22	CHF32	CHF32	CHF32	CHF32	CHF42	CHF42	CHF42	CHF42	CHF42	CHF42	CHF42	CHF42	CHF62	CHF62	CHF62	CHF62	CHF62	CHF62	CHF62	CHF62

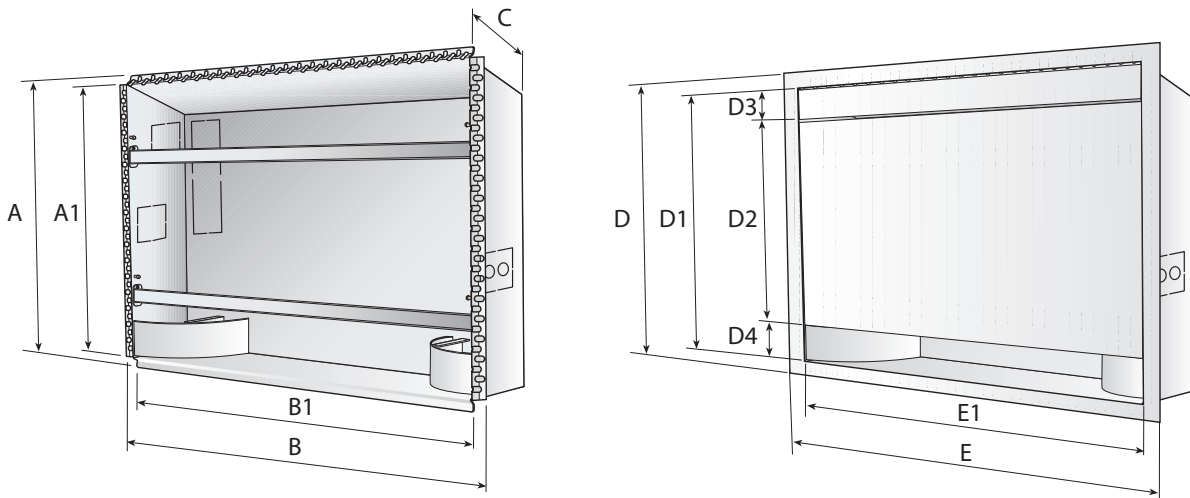
UL-P

Ver	16						26						36					
P	CHU17L						CHU27L						CHU37L					

ULI-P

Ver	16						26						36					
P	CHU17L						CHU27L						CHU37L					

DIMENSIONS



		CHU12L	CHU17L	CHU27L	CHU37L
Dimensions jig					
A	mm	691	691	691	691
A1	mm	648	648	648	648
B	mm	692	802	1032	1252
B1	mm	644	754	984	1204
C	mm	186	186	186	186
D	mm	724	724	724	724
D1	mm	634	634	634	634
D2	mm	494	494	494	494
D3	mm	70	70	70	70
D4	mm	-	-	-	-
E	mm	713	823	1053	1273
E1	mm	633	743	973	1193

		CHF17	CHF22	CHF32	CHF42	CHF62
Dimensions jig						
A	mm	728	728	728	728	833
A1	mm	684	684	684	684	789
B	mm	732	842	1073	1293	1414
B1	mm	684	794	1025	1245	1366
C	mm	240	240	240	240	240
D	mm	760	760	760	760	865
D1	mm	680	680	680	680	785
D2	mm	493	493	493	493	598
D3	mm	93	93	93	93	93
D4	mm	94	94	94	94	94
E	mm	753	863	1094	1314	1435
E1	mm	673	783	1014	1234	1355

Aermec reserves the right to make any modifications deemed necessary.
All data is subject to change without notice. Aermec does not assume responsibility or liability for errors or omissions.

Aermec S.p.A.
Via Roma, 996 - 37040 Bevilacqua (VR) - Italia
Tel. 0442633111 - Telefax 044293577
www.aermec.com