

TRA

Cooling towers

Capacity from 49,53 up to 1084,88 kW



FEATURES

- Available in **17 different sizes**;
- Entirely built of fibre-glass reinforced resin to avoid corrosion problems with surface treatment to withstand ultraviolet rays, heat changes and scuffing caused by bad weather;
- Limited to the three largest sizes (TRA850, TRA850L, TRA950, TRA950L, TRA1100, TRA1100L) the bearing structure is made of hot galvanised steel with 22 mm thick fibreglass reinforced resin sandwich panels, with support foam material inside. In this way, as well achieving good mechanical strength the sound of the water flowing is muffled. Surface treatment to withstand ultraviolet rays, heat changes and scuffing caused by bad weather;
- Self-bearing structure;
- **Exchange pack and drip separator** made of self-extinguishing PVC;
- PVC **water distribution pipes** with polypropylene nozzles;
- **Hydrometer**: when there is not water flow rate measuring device, this instrument makes possible to have an approximate indication of the flow rate of the water in circulation based on the nozzle load drop;
- Plastic **bleed tap**;
- **Axial high efficiency fan** with several blades;
- **Water drip pan**, waterproof and water resistant made of fibreglass reinforced polyester resin with multi layer glass material;
- **Personal protection grill** made of AISI 304 on the fan outlet.

PERFORMANCE SPECIFICATIONS

		TRA50	TRA70	TRA90	TRA110	TRA130	TRA170	TRA200	TRA240	TRA300	TRA400
Cooling towers performances (1)											
Capacity	kW	49,53	69,06	88,60	107,44	125,58	168,14	197,67	242,09	302,33	405,32
Air flow rate	m ³ /h	4500	4500	8100	8100	8100	12600	12600	18100	18100	28350
Water flow rate	l/h	7100	9900	12700	15400	18000	24100	28330	34700	43300	58100
Pressure drop	kPa	42	32	52	32	42	28	35	23	40	28

		TRA500	TRA550	TRA600	TRA750	TRA850	TRA850L	TRA950	TRA950L	TRA1100	TRA1100L
Cooling towers performances (1)											
Capacity	kW	488,37	574,19	604,88	767,44	856,74	856,74	941,86	941,86	1084,88	1084,88
Air flow rate	m ³ /h	28350	36000	45350	45350	58000	58000	58000	58000	67000	67000
Water flow rate	l/h	70000	82300	86700	110000	122800	122800	135000	135000	155500	155500
Pressure drop	kPa	40	55	30	48	49	49	25	25	32	32

(1) Inlet air temperature 23,5 °C b.u., Inlet water temperature 35 °C, Outlet water temperature 29 °C

GENERAL DATA

		TRA50	TRA70	TRA90	TRA110	TRA130	TRA170	TRA200	TRA240	TRA300	TRA400
General data											
Motor power	kW	0,55	0,75	0,75	0,75	1,10	1,10	1,50	1,50	2,20	2,20
Motor poles	no.	4	4	4	4	6	6	6	6	6	6
Motor poles (double polarity)	no.	4/8	4/8	4/8	4/8	6/12	6/12	6/8	6/8	6/8	6/8
Nozzles	no.	1	1	1	1	1	1	1	4	4	4

Fans

Number	no.	1	1	1	1	1	1	1	1	1	1
--------	-----	---	---	---	---	---	---	---	---	---	---

		TRA500	TRA550	TRA600	TRA750	TRA850	TRA850L	TRA950	TRA950L	TRA1100	TRA1100L
General data											
Motor power	kW	4,00	5,50	4,00	5,50	5,50	5,50	5,50	5,50	7,50	7,50
Motor poles	no.	6	6	6	6	8	8	8	8	8	8
Motor poles (double polarity)	no.	6/12	6/12	6/12	8/16	8/16	8/16	8/16	8/16	8/16	8/16
Nozzles	no.	4	4	9	9	16	16	16	16	16	16

Fans

Number	no.	1	1	1	1	1	1	1	1	1	1
--------	-----	---	---	---	---	---	---	---	---	---	---

SOUND DATA

		TRA50	TRA70	TRA90	TRA110	TRA130	TRA170	TRA200	TRA240	TRA300	TRA400
Sound data (1)											
Sound pressure	dB(A)	52	52	54	54	54	54	54	55	55	57

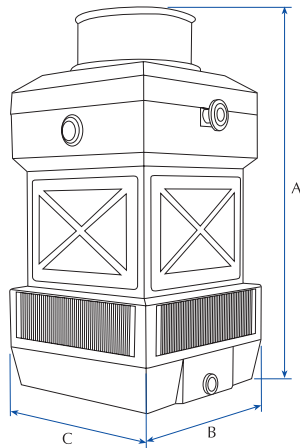
		TRA500	TRA550	TRA600	TRA750	TRA850	TRA850L	TRA950	TRA950L	TRA1100	TRA1100L
Sound data (1)											
Sound pressure	dB(A)	57	58	61	61	62	56	62	56	64	57

(1) Sound pressure: Values refer to measurements in accordance with ISO 3744 standard, performed in free field and in absence of background noise, with average hydraulic load. Sound pressure level at a distance of 15 m from the tower, measured at 1.5 meters above the ground. Tolerance on values +/-2 dbA.

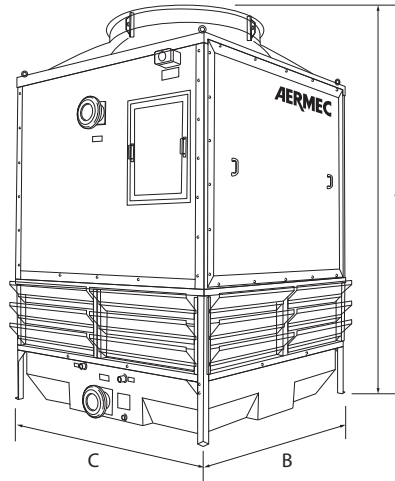
The size up 50 to 750 are only available in the silenced versions.

■ Power supply: 230V ~ 3 50Hz, 400V ~ 3N 50Hz.

DIMENSIONS



TRA 50-750



TRA 850-1100
TRA 850L-1100L

		TRA50	TRA70	TRA90	TRA110	TRA130	TRA170	TRA200	TRA240	TRA300	TRA400
Dimensions and weights											
A	mm	2110	2110	2595	2595	2595	2800	2800	2860	2860	3140
B	mm	800	800	1000	1000	1000	1200	1200	1400	1400	1740
C	mm	800	800	1000	1000	1000	1200	1200	1400	1400	1740
Empty weight	kg	75	75	85	95	95	170	170	210	210	410

		TRA500	TRA550	TRA600	TRA750	TRA850	TRA850L	TRA950	TRA950L	TRA1100	TRA1100L
Dimensions and weights											
A	mm	3140	3380	3450	3450	3650	3900	3650	3900	3650	3900
B	mm	1740	1900	2100	2100	2030	2030	2030	2030	2360	2360
C	mm	1740	2100	2300	2300	2360	2360	2360	2360	2360	2360
Empty weight	kg	410	500	555	580	850	850	815	815	915	915

Aermec reserves the right to make any modifications deemed necessary.
All data is subject to change without notice. Aermec does not assume responsibility or liability for errors or omissions.

Aermec S.p.A.
Via Roma, 996 - 37040 Bevilacqua (VR) - Italia
Tel. 0442633111 - Telefax 044293577
www.aermec.com